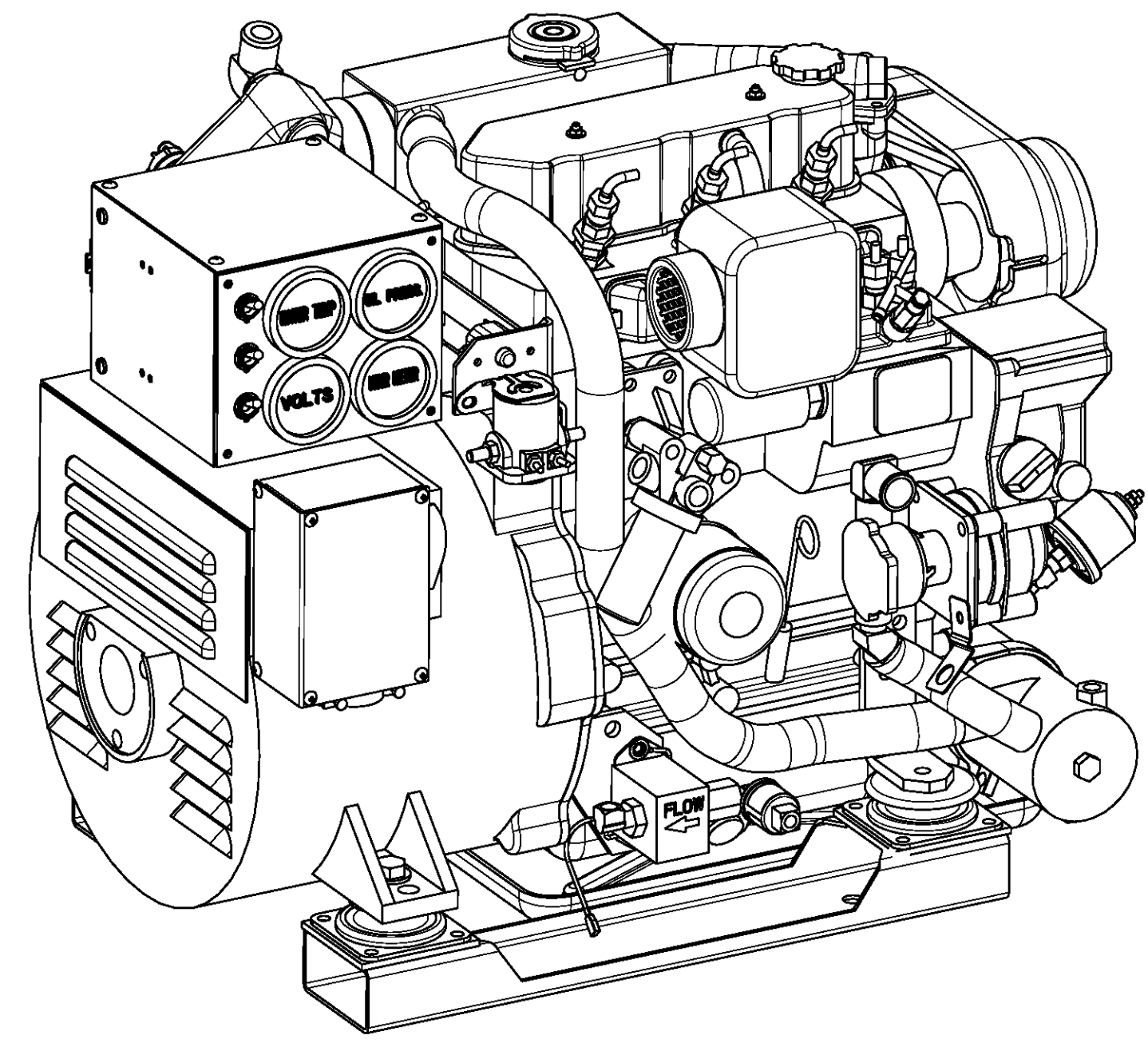
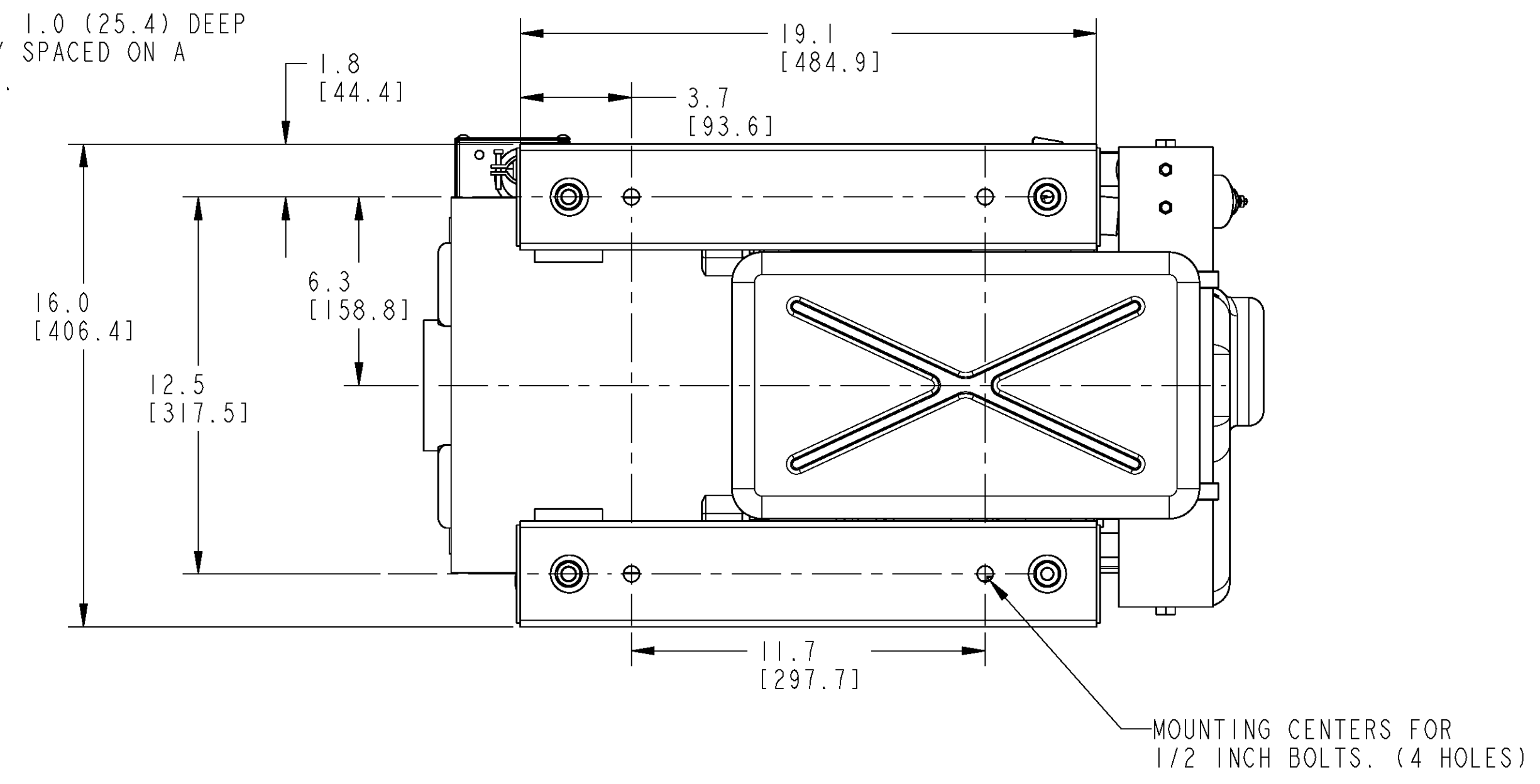
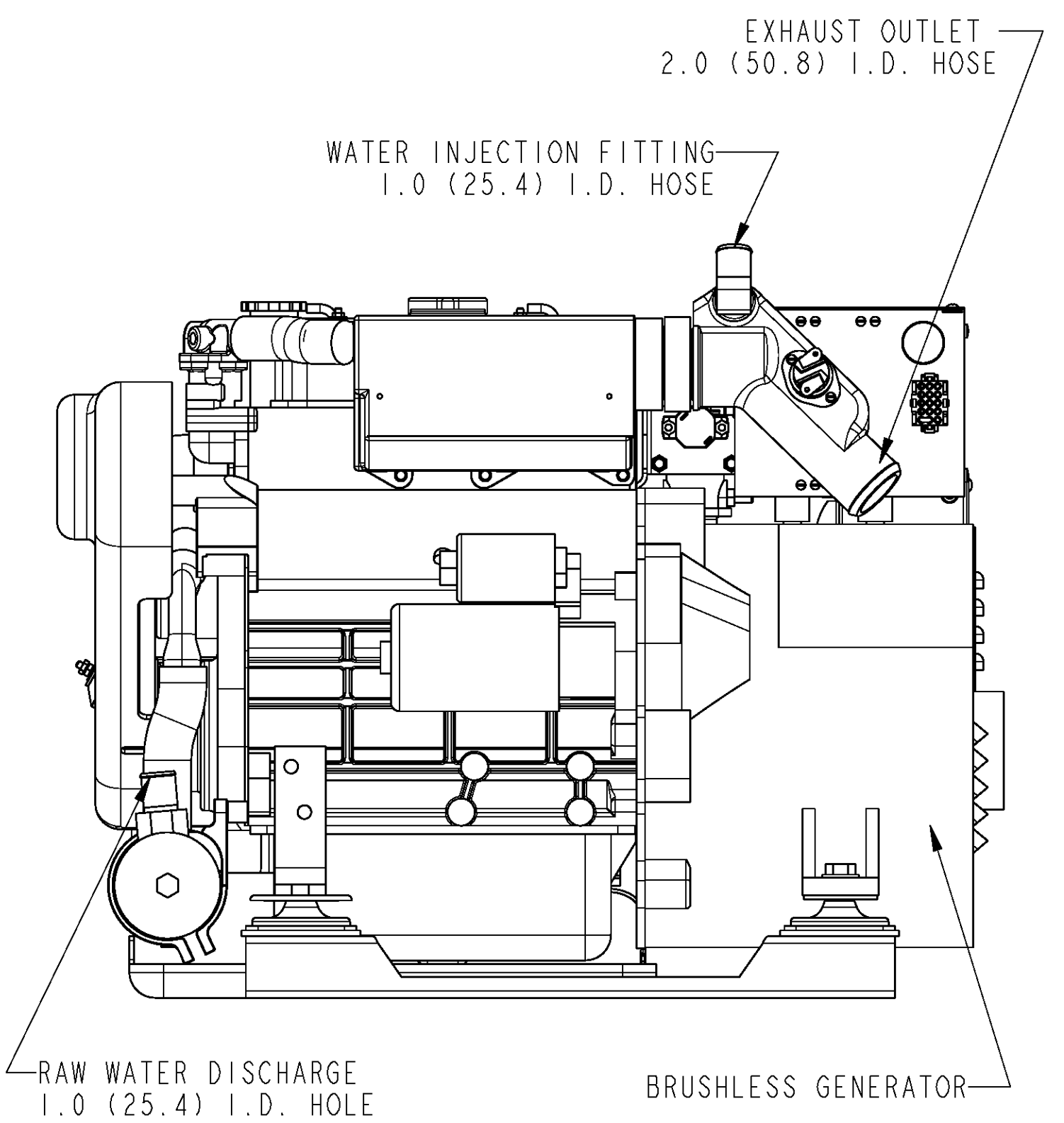
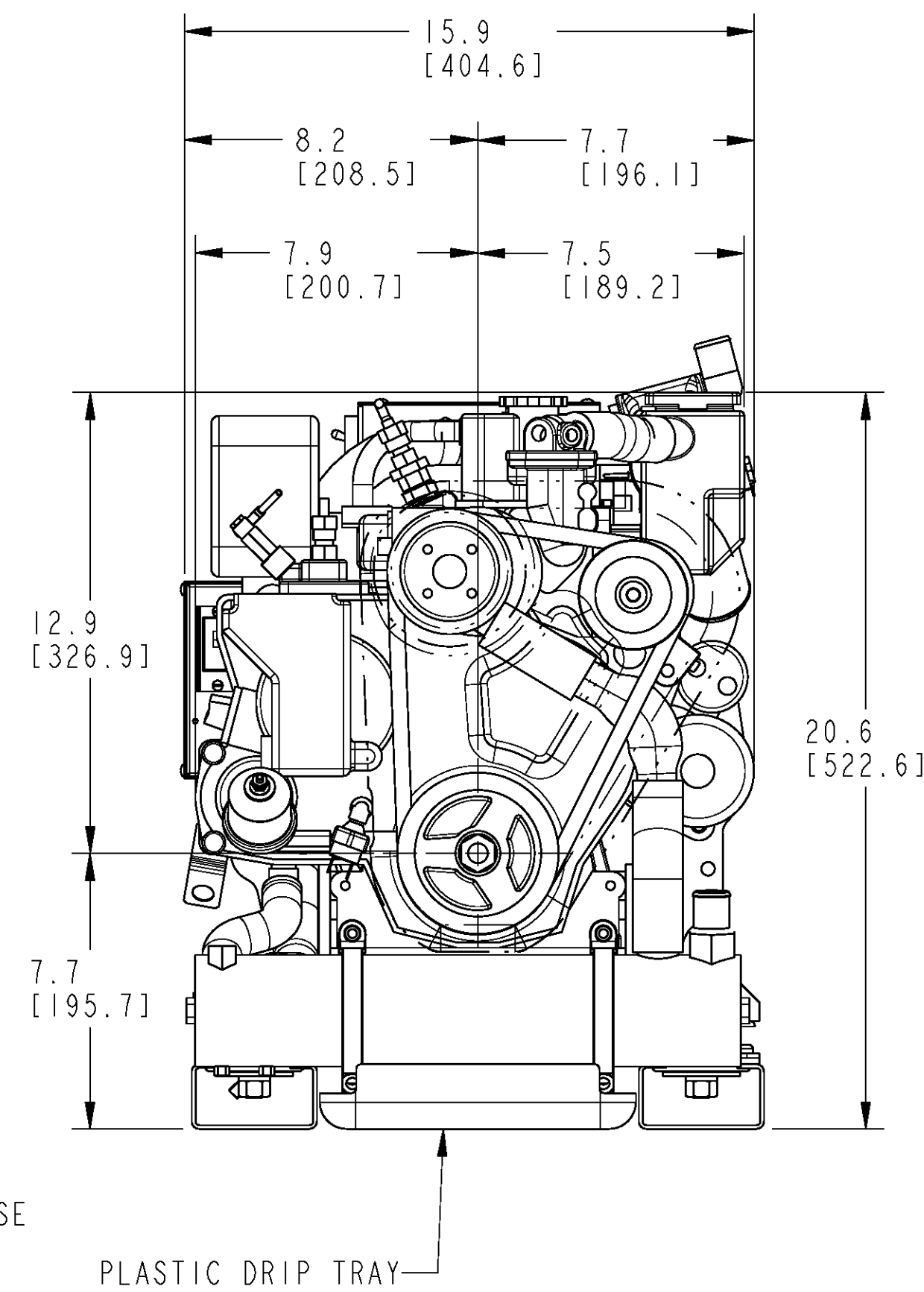
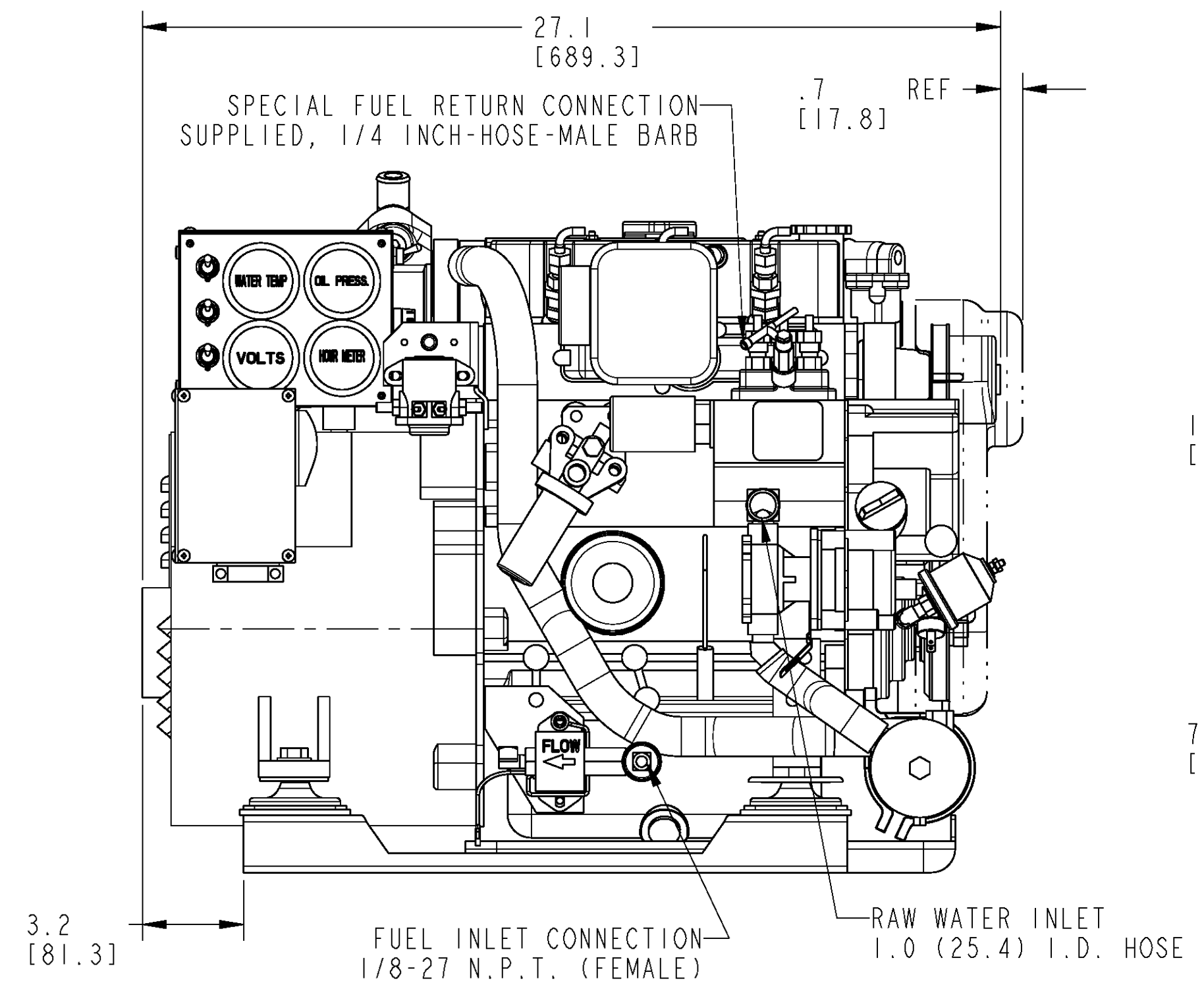
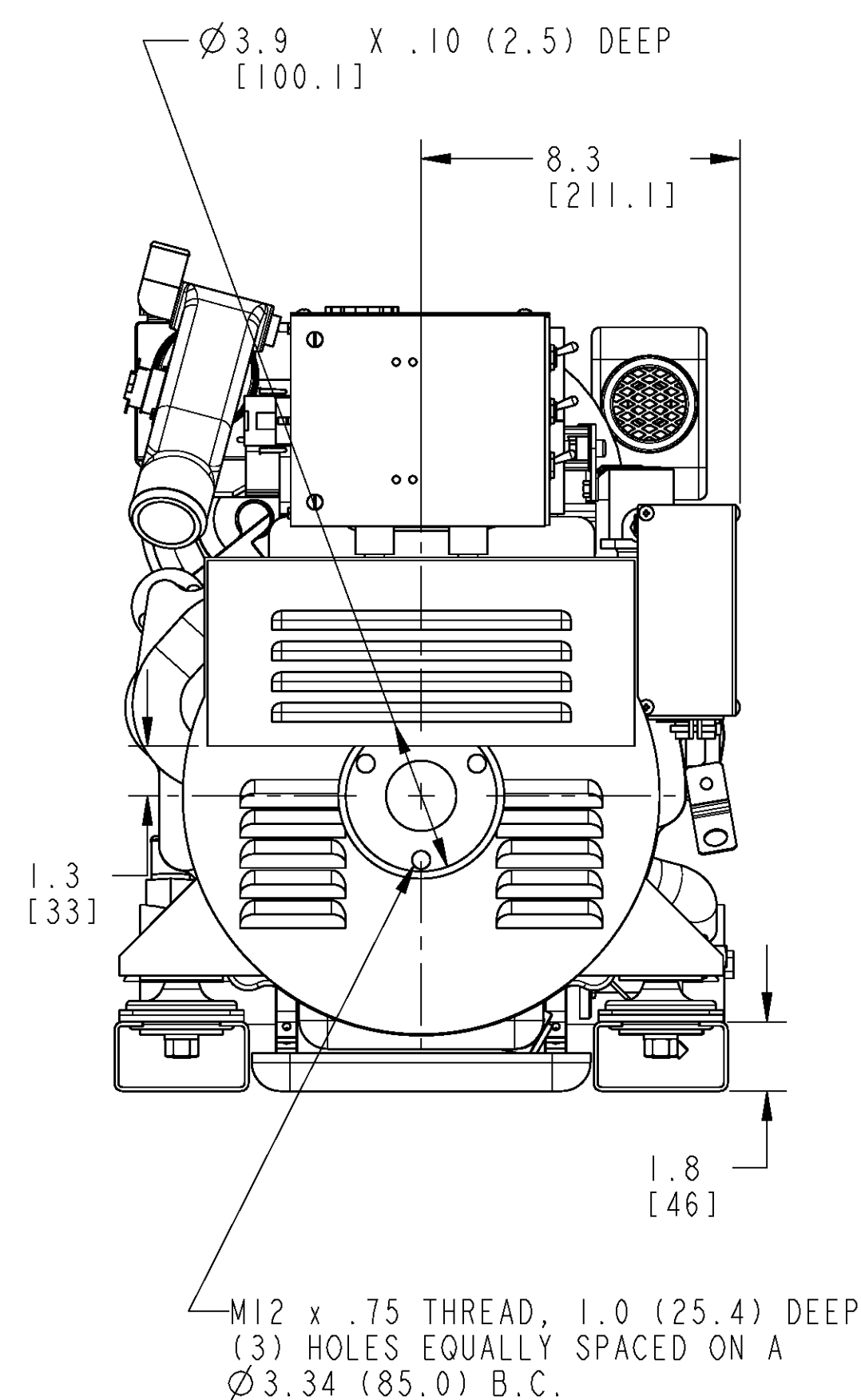
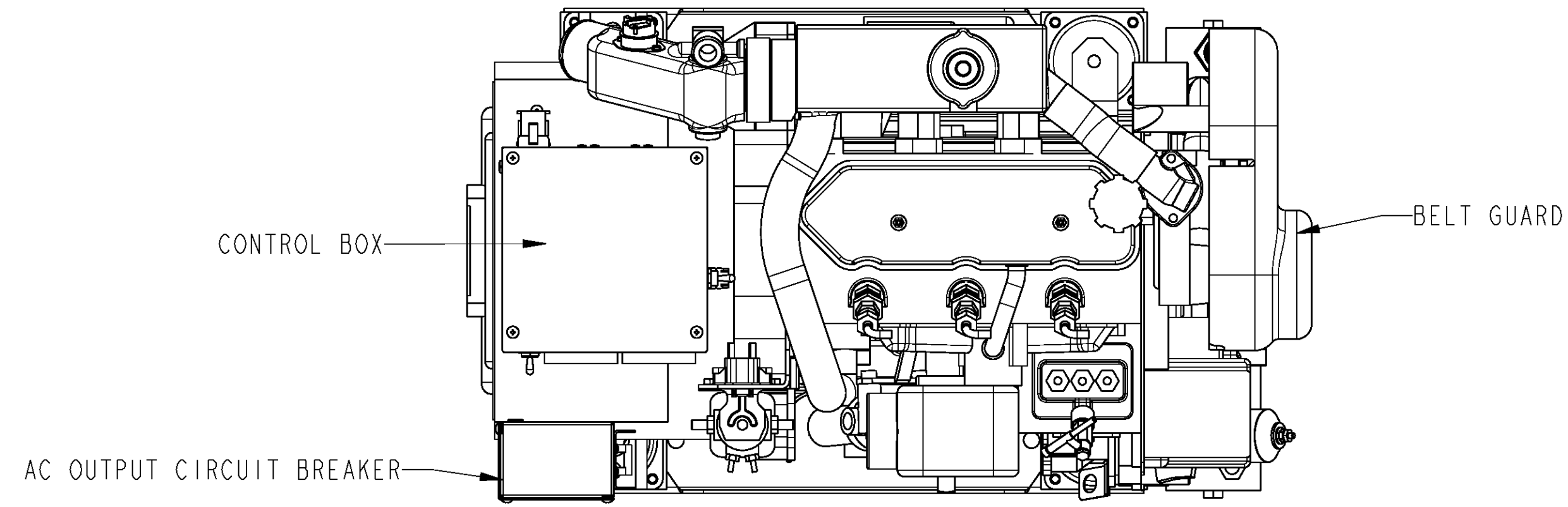


ECO NO.	DATE	REV.	REVISION RECORD	AUTH.	DR. BY
6466	2-26-2008	A	RELEASE PART FOR PRODUCTION		GA



TOLERANCES (UNLESS OTHERWISE NOTED)		WESTERBEKE CORPORATION TAUNTON, MA. 02780	
INCHES	MILLIMETERS	TITLE	MATERIAL
.XX : .02	.X : ± 1.0	INSTALLATION DRAWING	
.XXX : .005	.XX : ± .5	5.5 BCD 60Hz, 5.0 BCD 50Hz	
CAST : .03	.XX : ± .13	DRAWN BY	DATE
FINISH		GA	24/Feb/2008
DIMENSIONS		APPROVED BY	DATE
INCHES			
MILLIMETERS		SCALE 0.250	SIZE
(WHEN APPLICABLE)		SHT. 1 OF 1	DRAWING NUMBER
		D	53971
			REV. A